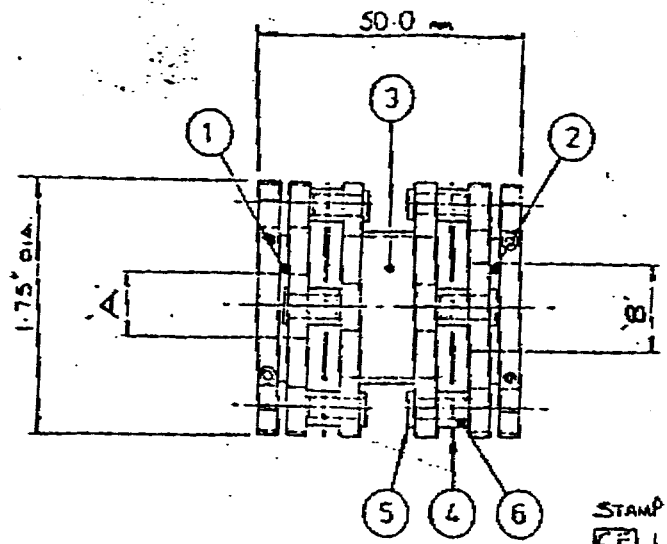


THIRD ANGLE PROJECTION

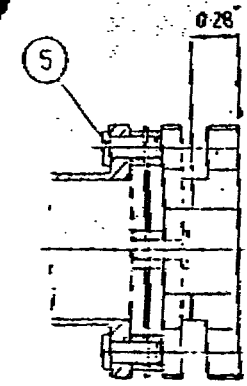
VIC

SIZE CHART

0179	11mm x 11mm
0180	14mm x 10mm
0181	10mm x 11mm
0182	14mm x 7mm
0183	10mm x 7mm

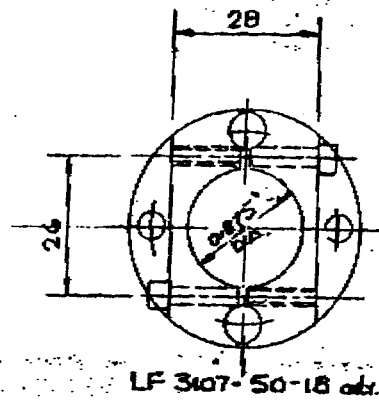


STAMP HERE: SEE [E] LF 3107-50-TABLE



PART SECTION ON X-X

NOTE: ASSEMBLE WITH ALTERNATE SUPPORT PINS FITTED TO ONE FLANGE.



LF 3107-50-18 det.

PART N°	A DIA	B DIA	PART N°	A DIA	B DIA
LF-3107-50-01	11mm/11.02mm	14mm/14.02mm	LF3107-50-11	15.00/15.02	0.625/0.626"
LF-3107-50-02	7mm/7.015mm	14mm/14.02mm	LF3107-50-12	11.00/11.02	13.00/13.02
LF-3107-50-03	7mm/7.015mm	14.5mm/14.52mm	LF3107-50-13	7.00/7.015	7.00/7.015
LF-3107-50-04	11mm/11.02mm	11.00mm/11.02mm	LF3107-50-14	10.00/10.02	7.00/7.015
LF-3107-50-05	14mm/14.02mm	0.625/0.626"	LF3107-50-15	10.00/10.02	10.00/10.02
LF-3107-50-06	0.625/0.626"	0.625/0.626"	LF3107-50-16	14.00/14.02	14.00/14.02
LF-3107-50-07	11.00mm/11.02mm	0.500/0.502"	LF3107-50-17	14.00/14.02	10.00/10.02
LF-3107-50-08	6.50mm/6.52mm	5.00mm/5.02mm	LF3107-50-18	11.00/11.02	0.875/0.876"
LF-3107-50-09	11.00mm/11.02mm	10.00mm/10.02mm	LF3107-50-19	11.00/11.02	0.625/0.626"
LF-3107-50-10	11.00mm/11.02mm	7.00mm/7.015mm	LF3107-50-20	12.00/12.02	19.00/19.02

SEE SEPARATE ADJGT (SHOWING 0.015 BORE)

IF IN DOUBT ASK

THIS IS A MASTER DOCUMENT DO NOT REMOVE FROM FILE



EUROTHERM DRIVES

Drawn	Checked	Title	
<i>[Signature]</i>	<i>[Signature]</i>	Disc Coupling	
Issue	Date	Drawing No.	Sht 1 of Shts
POR	7.6.93	AS ABOVE	
		BM0591044***	

PORTER CHADBURN ENG
A MEMBER OF THE CHADBURN GROUP

TITLE: SIZE 50 CLAMP TYPE DOUBLE ELEMENT MINI DRY DISC COUPLING

MATL STOCK NO.	DRAWN	LF	
SCALE NTS	MATL ALLY ALLOY B.S. 1474 P.E. 30TF	TRACED	DG
DRG. NO.	LF-3107-50-01/-	CHECKED	
		APPROVED	

WHEN QUOTING DRG. NO. STATE LATEST ISSUE LETTER

A ORIGINAL DATE: 9-6-87

ISS.	MODIFICATION	C.P. NO.	DATE	APPROVAL
A 2 3	INITIAL ISSUE (BE 059104 E001) 6.0 φ HAS 6.2 φ G9 <i>RS</i>	7415 9869	6/4/92 3/1/95	<i>[Signature]</i> <i>[Signature]</i> <i>[Signature]</i>

FIRST USED ON

MODIFICATION RECORD

MOTOR ADAPTOR RING
MACH I



LITTLEHAMPTON
ENGLAND
TELEX 87142



DRAWING NUMBER

ZZ 059104

Cool

SHT.

OF